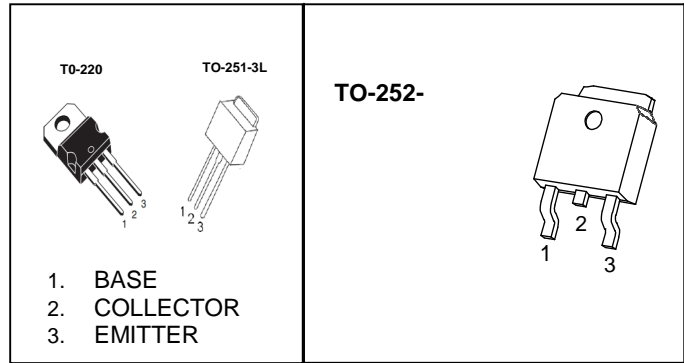


Plastic-Encapsulate Transistors

HS127 TRANSISTOR (PNP)

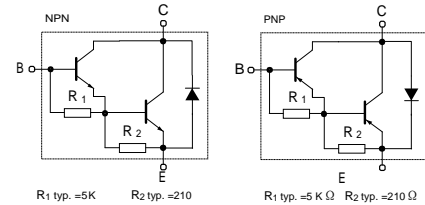
FEATURES

- High DC Current Gain
- Electrically Similar to Popular HS127
- Built-in a Damper Diode at E-C



MAXIMUM RATINGS ($T_a=25^\circ\text{C}$ unless otherwise noted)

Symbol	Parameter	Value	Unit
V_{CB0}	Collector-Base Voltage	-100	V
V_{CE0}	Collector-Emitter Voltage	-100	V
V_{EB0}	Emitter-Base Voltage	-5	V
I_C	Collector Current -Continuous	-8	A
P_C	Collector Power Dissipation	1.5	W
T_J, T_{stg}	Operation Junction and Storage Temperature Range	-55-150	$^\circ\text{C}$



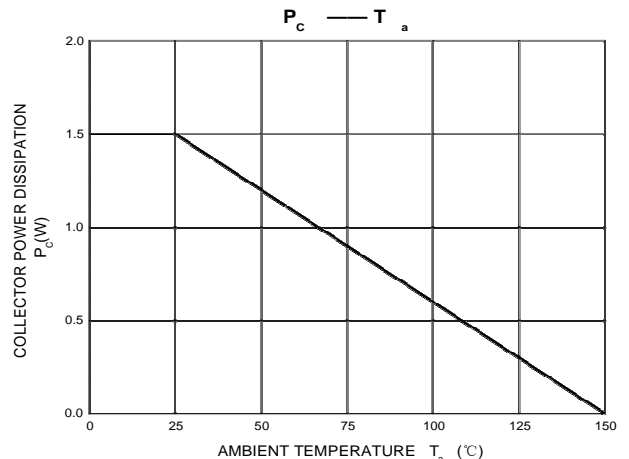
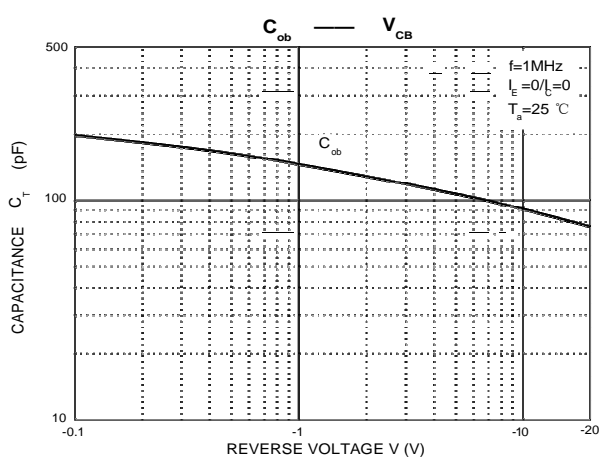
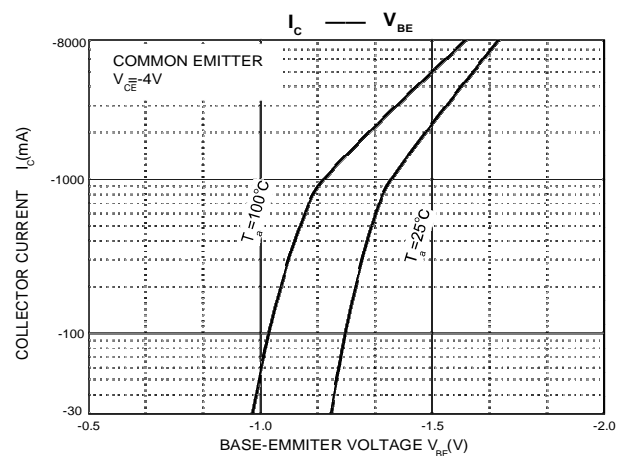
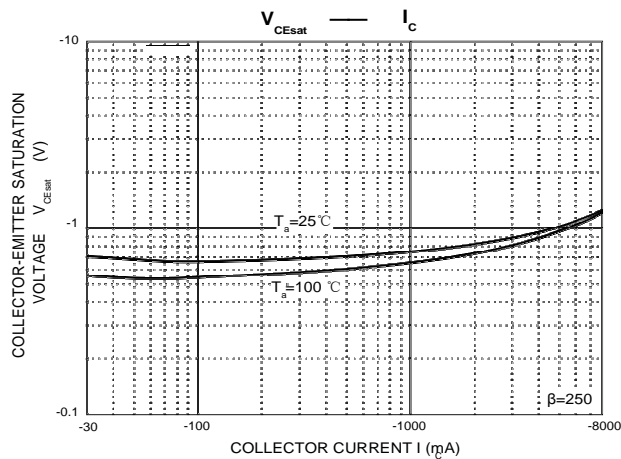
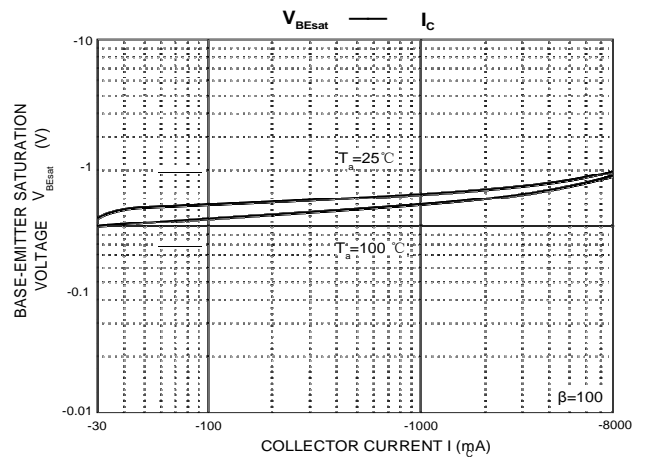
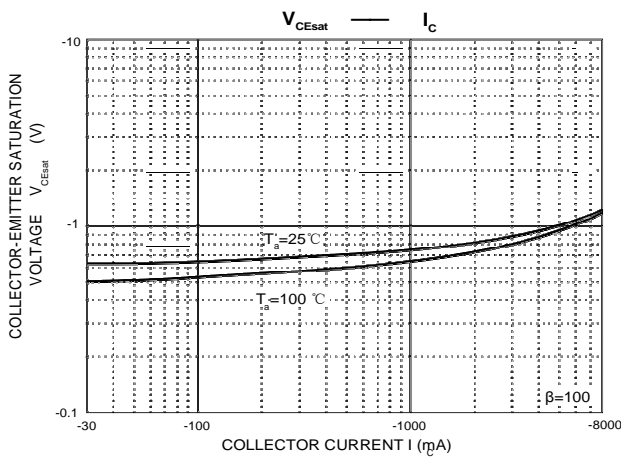
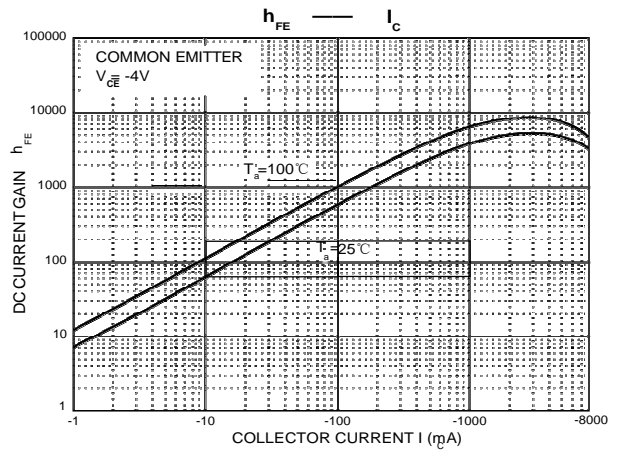
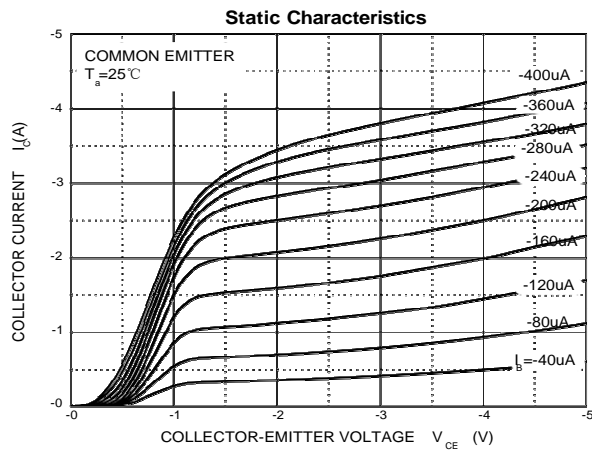
ELECTRICAL CHARACTERISTICS ($T_a=25^\circ\text{C}$ unless otherwise specified)

Parameter	Symbol	Test conditions	Min	Typ	Max	Unit
Collector-base breakdown voltage	$V_{(BR)CBO}$	$I_C=-1\text{mA}, I_E=0$	-100			V
Collector-emitter breakdown voltage	$V_{(BR)CEO}$	$I_C=-30\text{mA}, I_B=0$	-100			V
Emitter-base breakdown voltage	$V_{(BR)EBO}$	$I_E=-10\text{mA}, I_C=0$	-5			V
Collector cut-off current	I_{CBO}	$V_{CB}=-100\text{V}, I_E=0$			-10	μA
Collector-emitter cut-off current	I_{CEO}	$V_{CE}=-50\text{V}, I_B=0$			-10	μA
Emitter cut-off current	I_{EBO}	$V_{EB}=-5\text{V}, I_C=0$			-2	mA
DC current gain	$h_{FE(1)}$	$V_{CE}=-4\text{V}, I_C=-4\text{A}$	1000		12000	
	$h_{FE(2)}$	$V_{CE}=-4\text{V}, I_C=-8\text{A}$	100			
Collector-emitter saturation voltage	$V_{CE(sat)1}^*$	$I_C=-4\text{A}, I_B=-16\text{mA}$			-2	V
	$V_{CE(sat)2}^*$	$I_C=-8\text{A}, I_B=-80\text{mA}$			-4	V
Base-emitter saturation voltage	$V_{BE(sat)}^*$	$I_C=-8\text{A}, I_B=-80\text{mA}$			-4.5	V
Base-emitter voltage	V_{BE}^*	$V_{CE}=-4\text{V}, I_C=-4\text{A}$			-2.8	V
Collector output capacitance	C_{ob}	$V_{CB}=-10\text{V}, I_E=0, f=0.1\text{MHz}$			300	pF

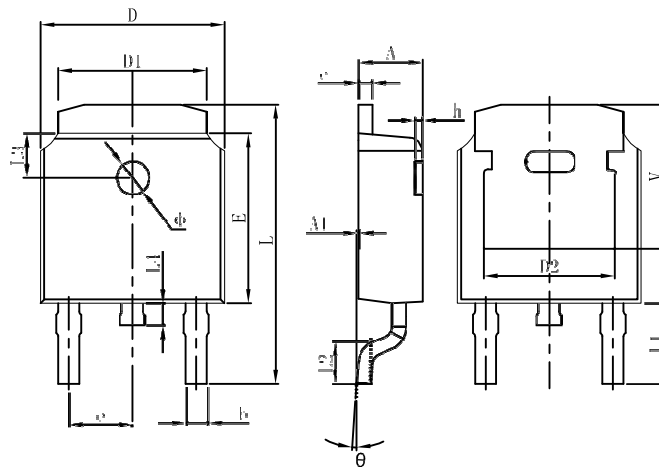
*Pulse Test: Pulse Width $\leq 380\mu\text{s}$, Duty Cycle $\leq 2\%$

Typical Characteristics

HS127

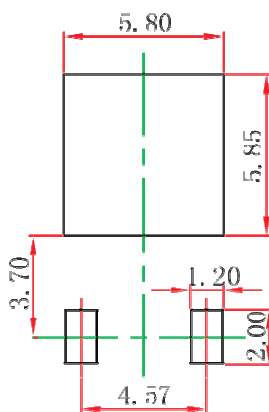


TO-252-2L Package Outline Dimensions



Symbol	Dimensions In Millimeters		Dimensions In Inches	
	Min.	Max.	Min.	Max.
A	2.200	2.400	0.087	0.094
A1	0.000	0.127	0.000	0.005
b	0.635	0.770	0.025	0.030
c	0.460	0.580	0.018	0.023
D	6.500	6.700	0.256	0.264
D1	5.100	5.460	0.201	0.215
D2	4.830 REF.		0.190 REF.	
E	6.000	6.200	0.236	0.244
e	2.186	2.386	0.086	0.094
L	9.712	10.312	0.382	0.406
L1	2.900 REF.		0.114 REF.	
L2	1.400	1.700	0.055	0.067
L3	1.600 REF.		0.063 REF.	
L4	0.600	1.000	0.024	0.039
Φ	1.100	1.300	0.043	0.051
θ	0°	8°	0°	8°
h	0.000	0.300	0.000	0.012
V	5.250 REF.		0.207 REF.	

TO-252-2L Suggested Pad Layout



Note:

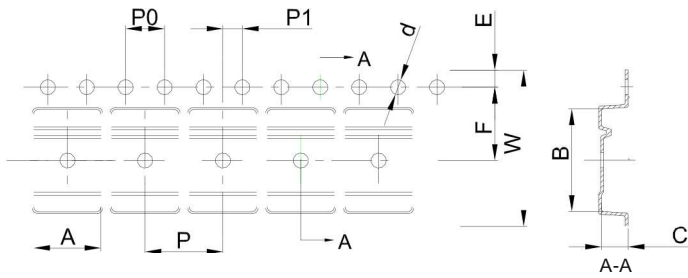
1. Controlling dimension: in millimeters.
2. General tolerance: $\pm 0.05\text{mm}$.
3. The pad layout is for reference purposes only.

NOTICE

JSCJ reserves the right to make modifications, enhancements, improvements, corrections or other changes without further notice to any product herein. JSCJ does not assume any liability arising out of the application or use of any product described herein.

TO-252-2L Tape and Reel

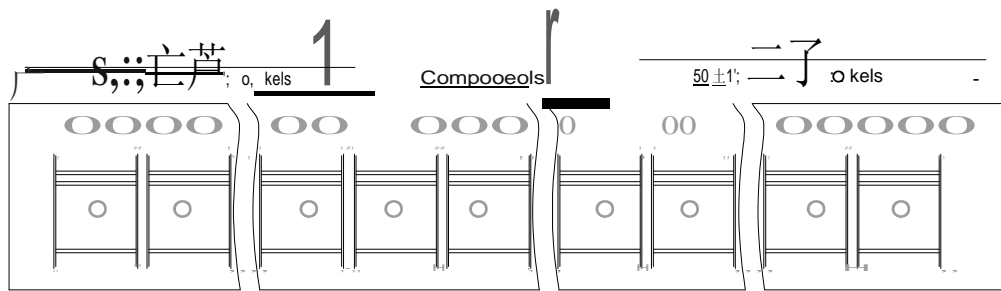
T0-252 Embossed Carrier Tape



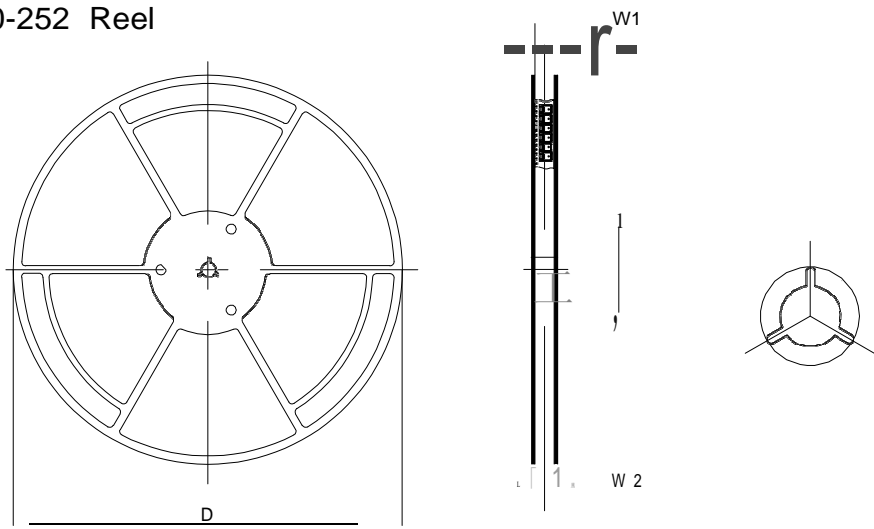
Packaging Description:
 T0-252 parts are shipped in tape. The carrier tape is made from a dissipative (carbon filled) polycarbonate resin. The cover tape is a multilayer film (Heat Activated Adhesive in nature) primarily composed of polyester film, adhesive layer, sealant, and anti-static sprayed agent. These reeled parts in standard option are shipped with 25,00 units per 13" or 33.0 cm diameter reel. The reels are clear in color and is made of polystyrene plastic (anti-static coated).

Dimensions are in millimeter										
Pkg type	A	B	C	d	E	F	P0	∞	P1	W
T0-252	6.90	10.50	0.50	01.55	1.75	7.50	4.00	∞	2.00	16.00

T0-252 Tape Leader and Trailer



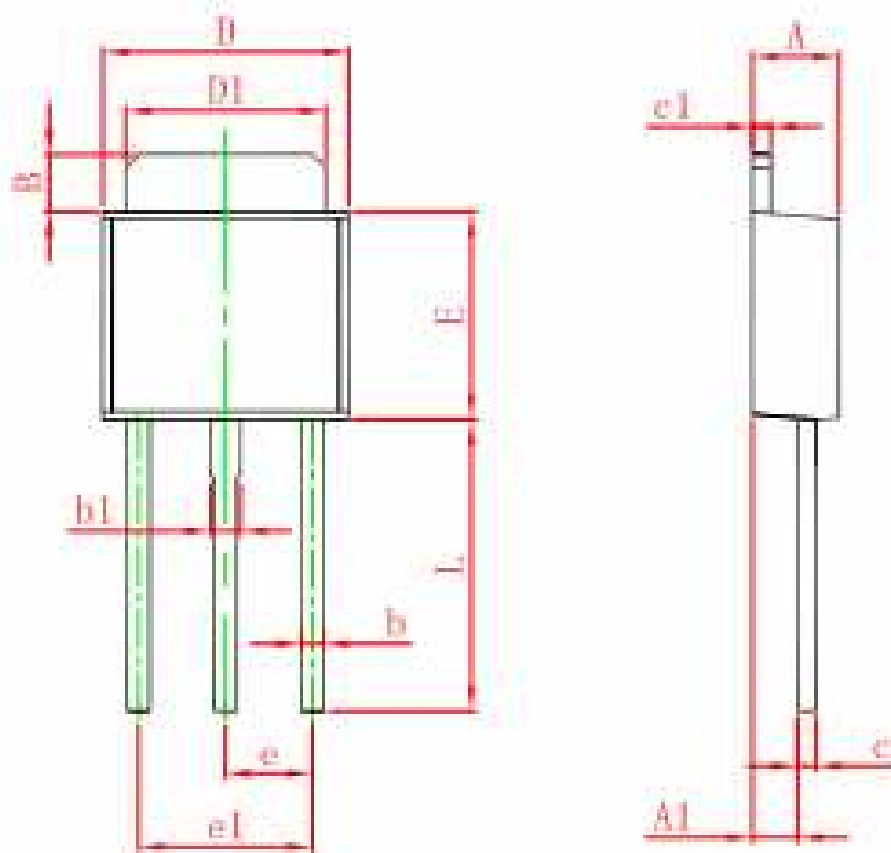
T0-252 Reel



Dimensions are in millimeter					
Reel Option	D	D1	D2	W1	W2
13"D	330.00	100.00	210.00	1640	2100

REEL	Reel Size	Box	Box Size(mm)	Carton	Carton Size(mm)	G.W.(kg)
2,500 pcs	13inch	2,500 pcs	340x336x29	25,000 pcs	353x345x355	

TO-251-3L Package Outline Dimensions



Symbol	Dimensions in Millimeters		Dimensions in Inches	
	Min.	Max.	Min.	Max.
A	2.200	2.400	0.087	0.094
A1	1.050	1.350	0.042	0.054
B	1.350	1.650	0.053	0.065
b	0.500	0.700	0.020	0.028
b1	0.700	0.900	0.028	0.035
c	0.430	0.580	0.017	0.023
c1	0.430	0.580	0.017	0.023
D	6.350	6.650	0.250	0.262
D1	5.200	5.400	0.205	0.213
E	5.400	5.700	0.213	0.224
e	2.300 TYP.		0.091 TYP.	
e1	4.500	4.700	0.177	0.185
L	7.500	7.900	0.295	0.311